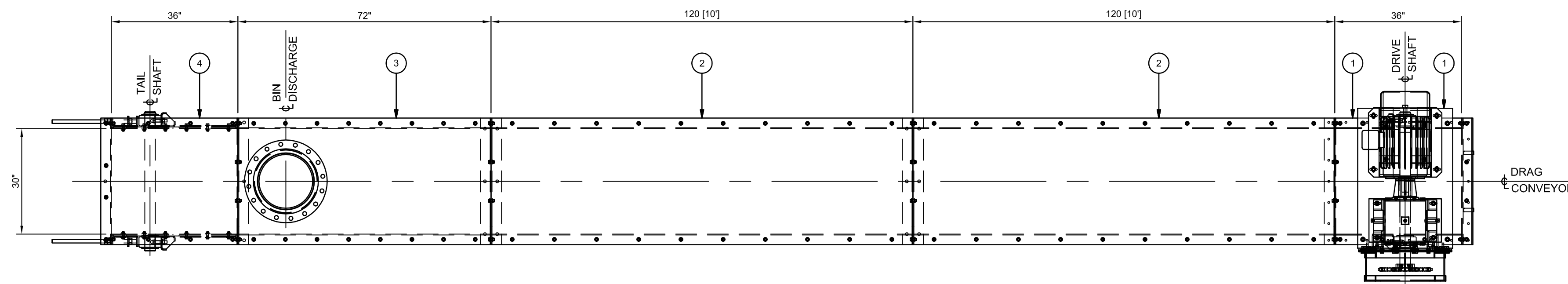


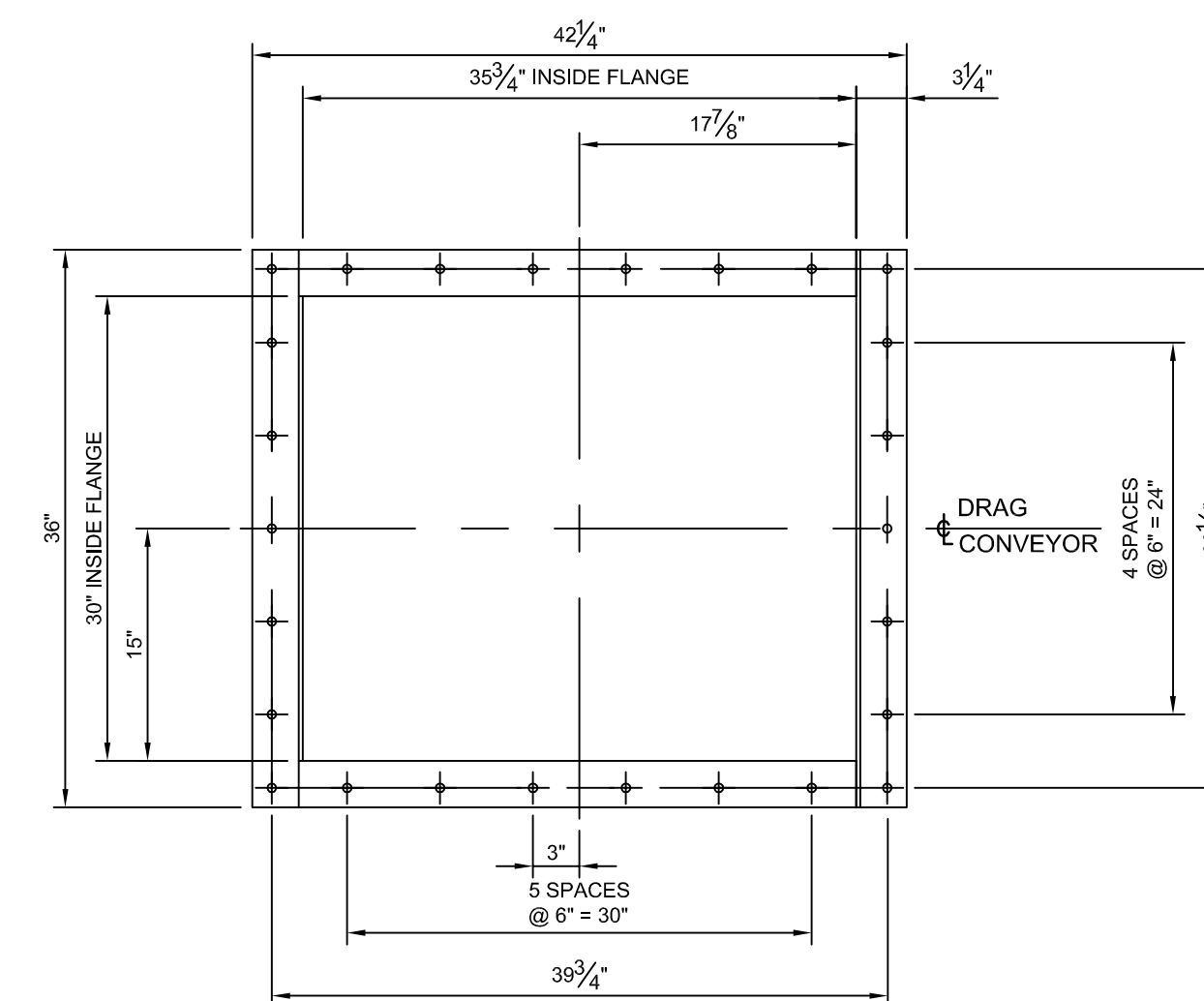
BILL OF MATERIALS						
ITEM	QTY	PART #	DESCRIPTION	MATERIAL	COMMENTS	
1	1	900125-100	DRAG DRIVE SECTION			
2	2	900125-200	DRAG BODY - TYPICAL 10 FOOT SECTION			
3	1	900125-300	DRAG BODY - FEED SECTION			
4	1	900125-400	DRAG TAIL SECTION			
5	32	--	HEX BOLT - ø1/2" - 13 UNC x 1.5" LG. - GRADE 5	Grade 5		
6	32	--	HEX NUT - ø1/2" - 13 UNC - GRADE 5	Grade 5		
7	64	--	WASHER - ø1/2" - GRADE 5	Grade 5		

**GENERAL NOTES:**

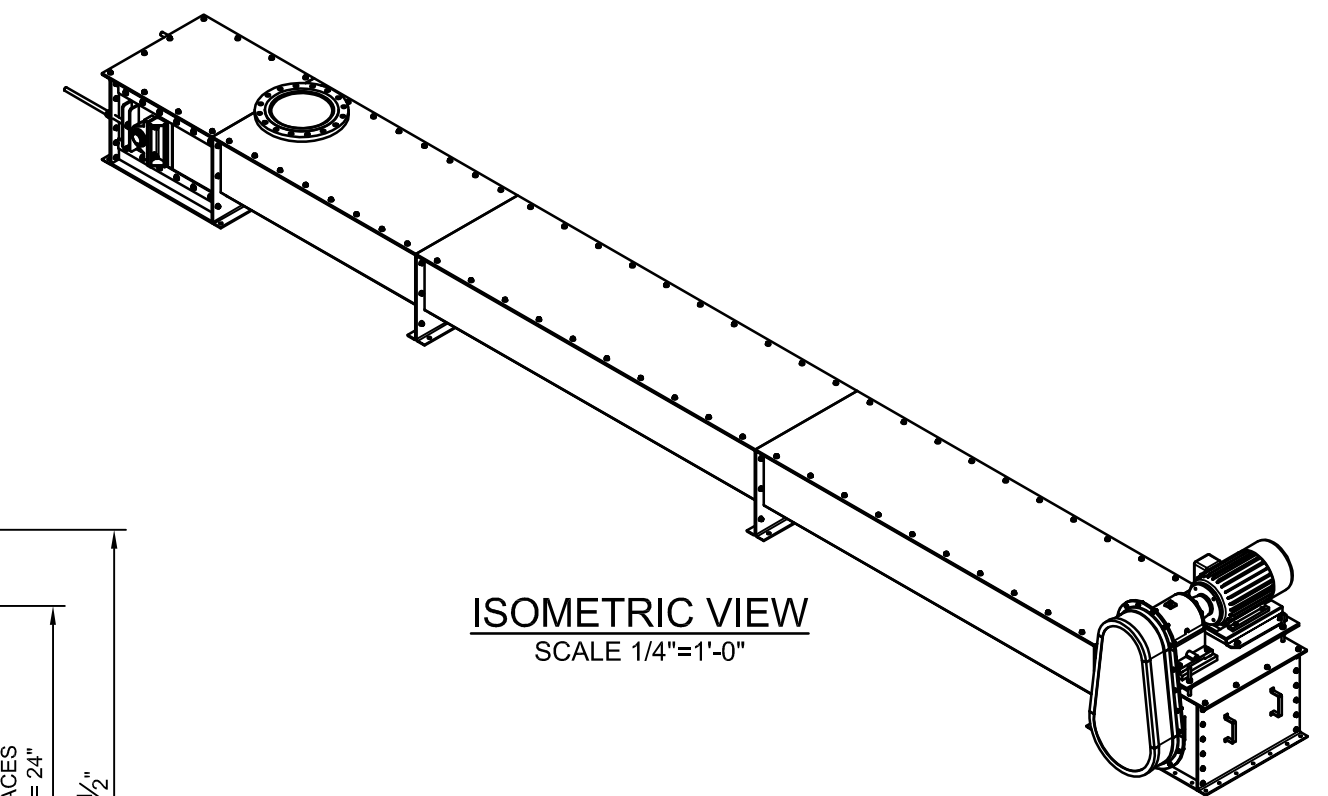
1. SHOP ASSEMBLY TO ENSURE FIT.
2. ENSURE ALL SHARP EDGES ARE GROUND SMOOTH.
3. PAINT AS PER CLIENT SPEC.
4. ENSURE ALL PART NUMBERS ARE CLEARLY MARKED ON COMPONENTS.



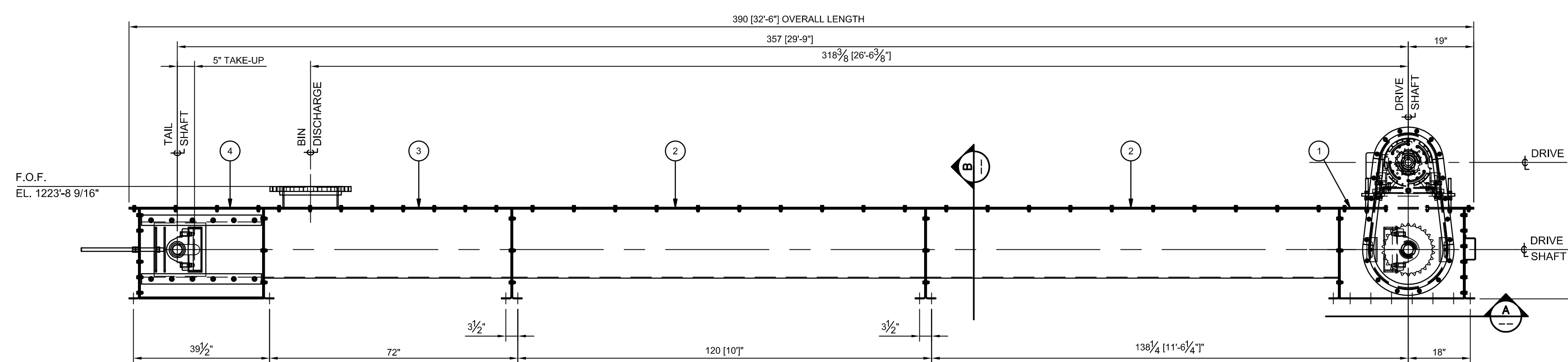
PLAN VIEW



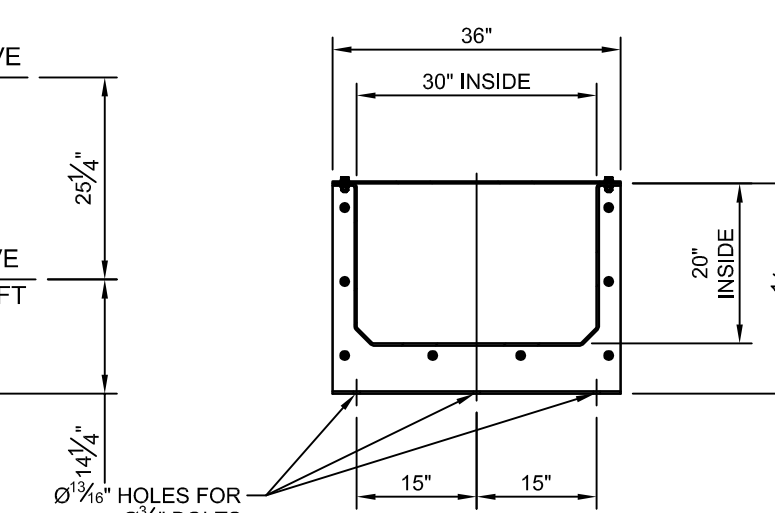
VIEW A  
SCALE: 1" = 1'-0"



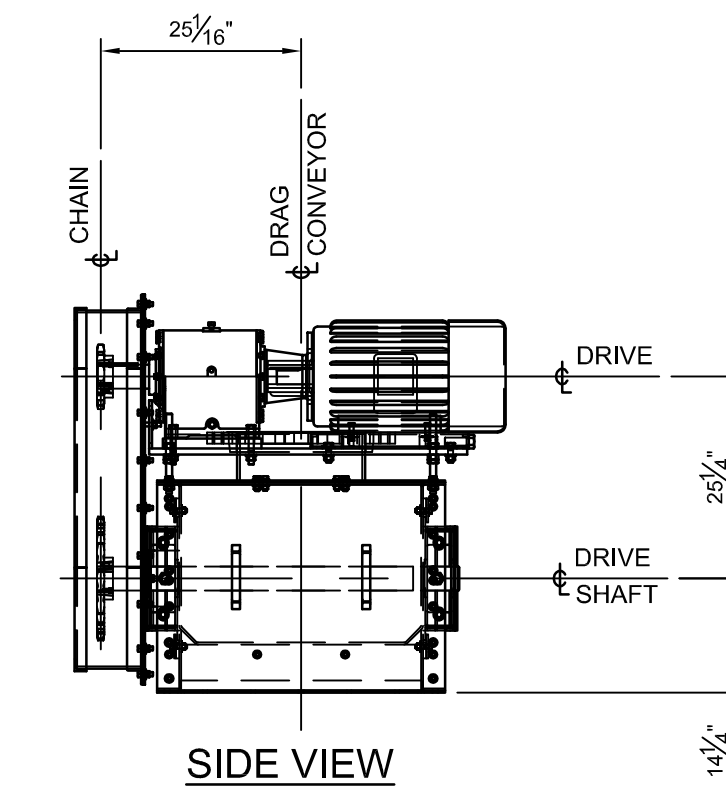
ISOMETRIC VIEW  
SCALE 1/4" = 1'-0"



PART No. 900125-001  
ELEVATION VIEW  
SCALE 1/2" = 1'-0"



SECTION B-B  
SCALE: 1/2" = 1'-0"



SIDE VIEW

REVISIONS					
NO.	DESCRIPTION	BY	CHK	DATE	

REVISIONS					
NO.	DESCRIPTION	BY	CHK	DATE	

STAMP		

		PROJECT	
DWN. BY: WHG DESIGN BY: EDC CHK'D. BY: BDT		DATE: 21-FEB-2014 DATE: 21-FEB-2014 DATE: 03-MAR-2014	
TITLE: TRUCK FEED DRAG PART No. 900125-001 GENERAL ASSEMBLY		SCALE: 1/2" = 1'-0" JOB No. 125-02 DWG. No. 900125-001	