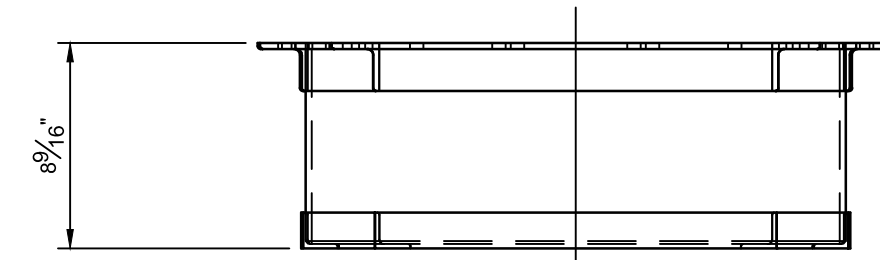
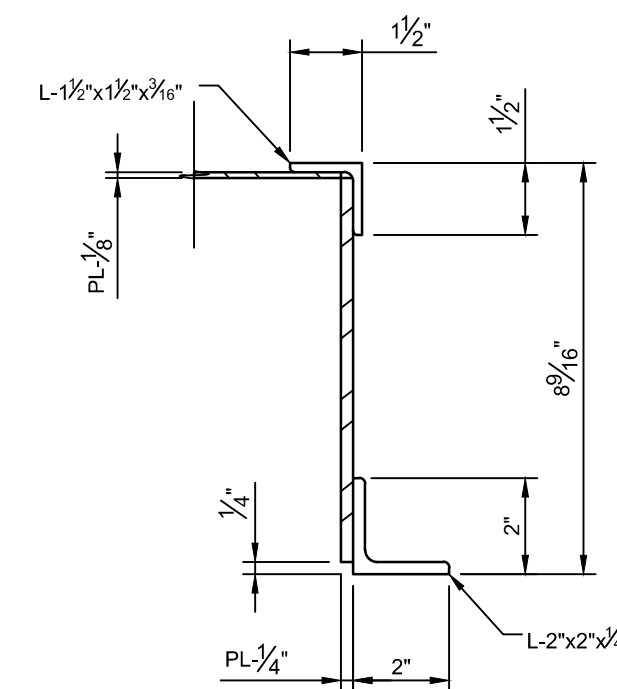


GENERAL NOTES:

1. ENSURE ALL SHARP EDGES ARE GROUND SMOOTH.
2. PAINT AS PER CLIENT SPEC.
3. ENSURE ALL PART NUMBERS ARE CLEARLY MARKED ON COMPONENTS.
4. ALL WELDS TO CONFORM TO CLIENT STANDARDS.
5. ALL MATERIAL TO BE MILD STEEL U.N.O.



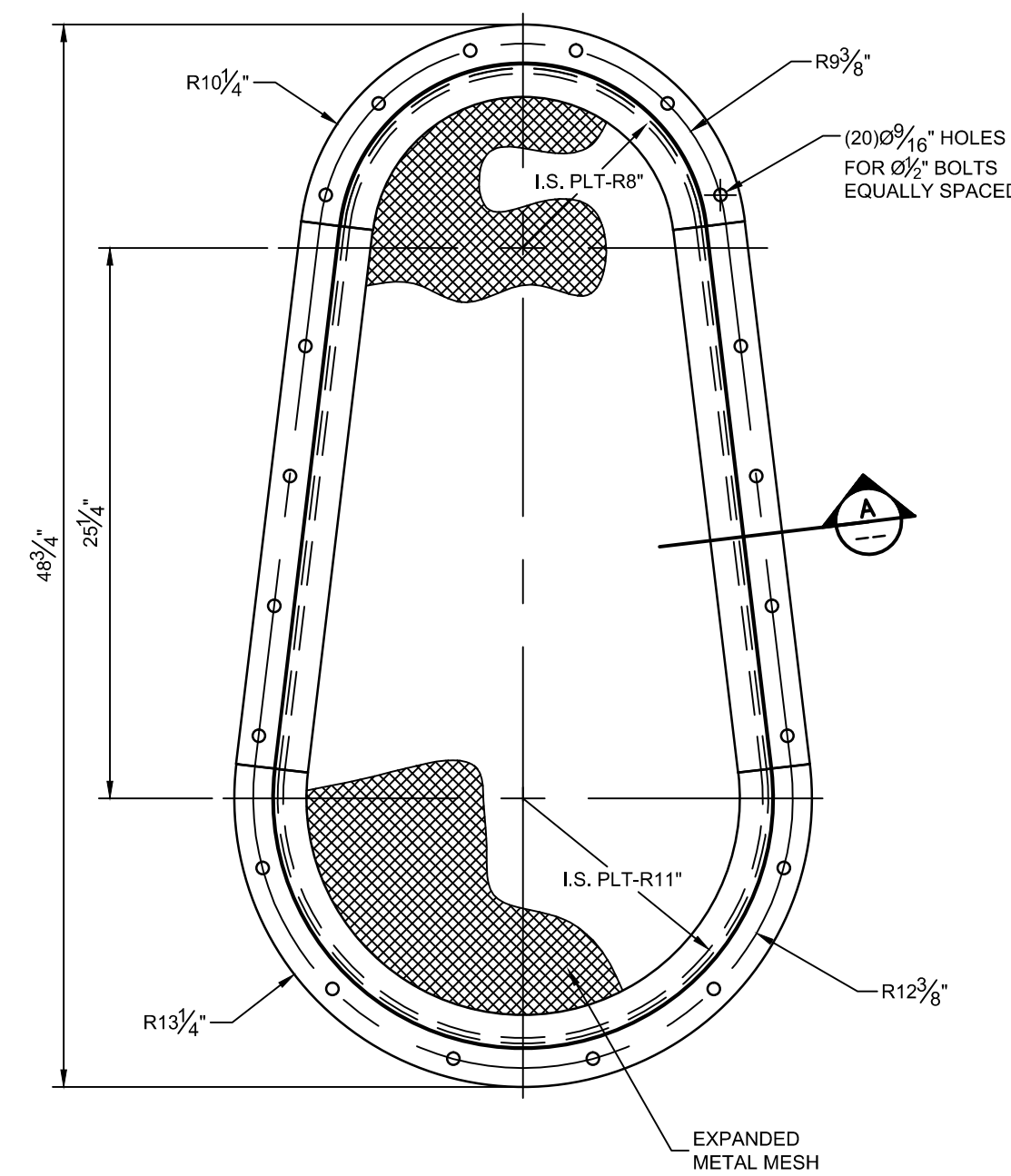
PLAN VIEW



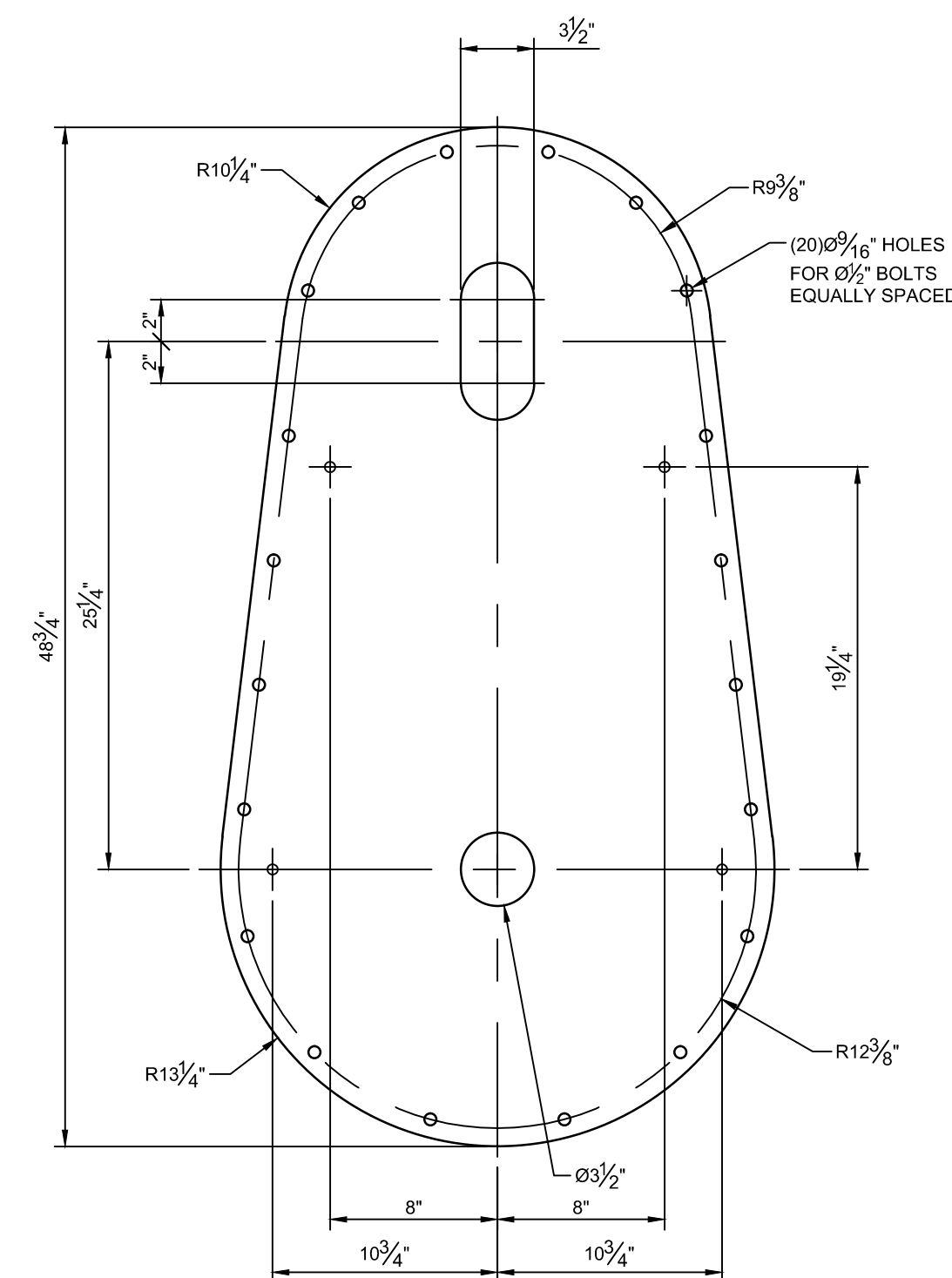
SECTION A-A
SCALE: 3" = 1'-0"



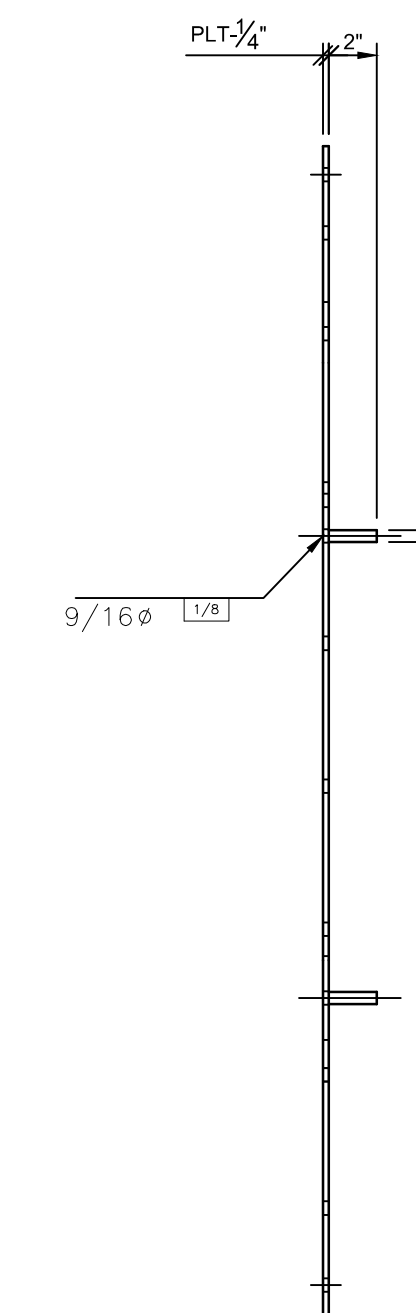
ISOMETRIC VIEW
SCALE 1 1/2"=1'-0"



PART No. 900125-141-A
ELEVATION VIEW
SCALE 1 1/2"=1'-0"



PART No. 900125-141-B
ELEVATION VIEW
SCALE 1 1/2"=1'-0"



SIDE VIEW

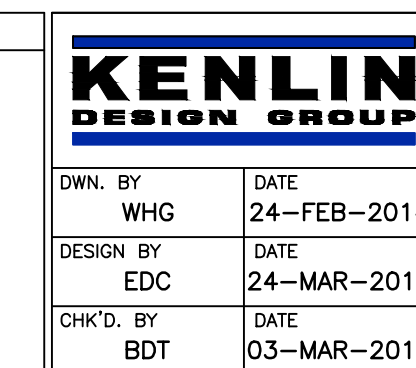
REVISIONS

NO.	DESCRIPTION	BY	CHK	DATE	NO.	DESCRIPTION	BY	CHK	DATE

REVISIONS

NO.	DESCRIPTION	BY	CHK	DATE	NO.	DESCRIPTION	BY	CHK	DATE

STAMP



PROJECT		TITLE		SCALE		JOB No.		DWS No.	
DWN. BY	DATE	TRUCK FEED DRAG CHAIN GUARD PARTS AND DETAILS		1 1/2"=1'-0"	125-02	900125-141			
WHG	24-FEB-2014								
DESIGN BY	DATE								
EDC	24-MAR-2014								
CHK'D. BY	DATE								
BDT	03-MAR-2014								