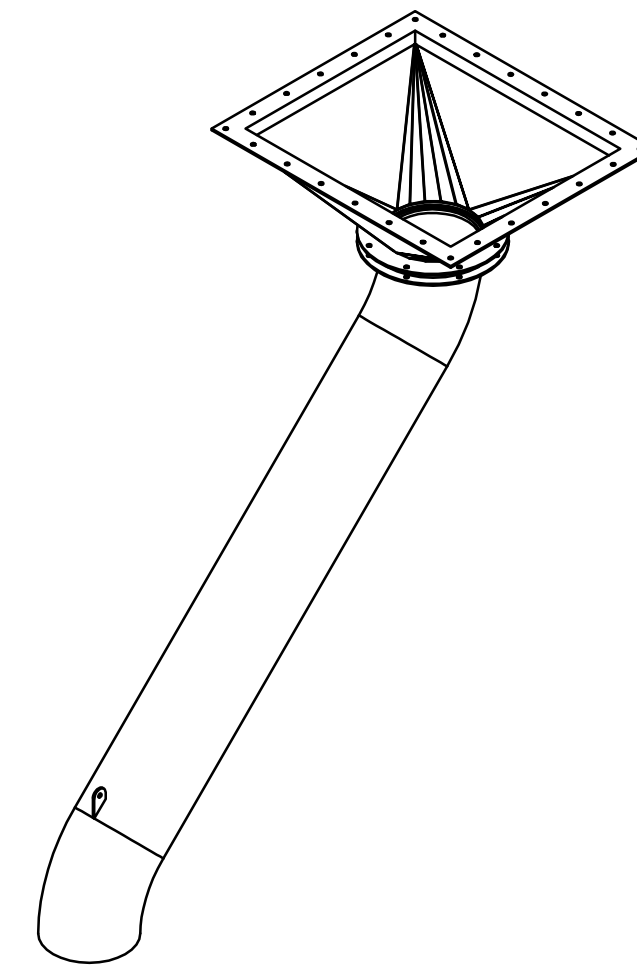
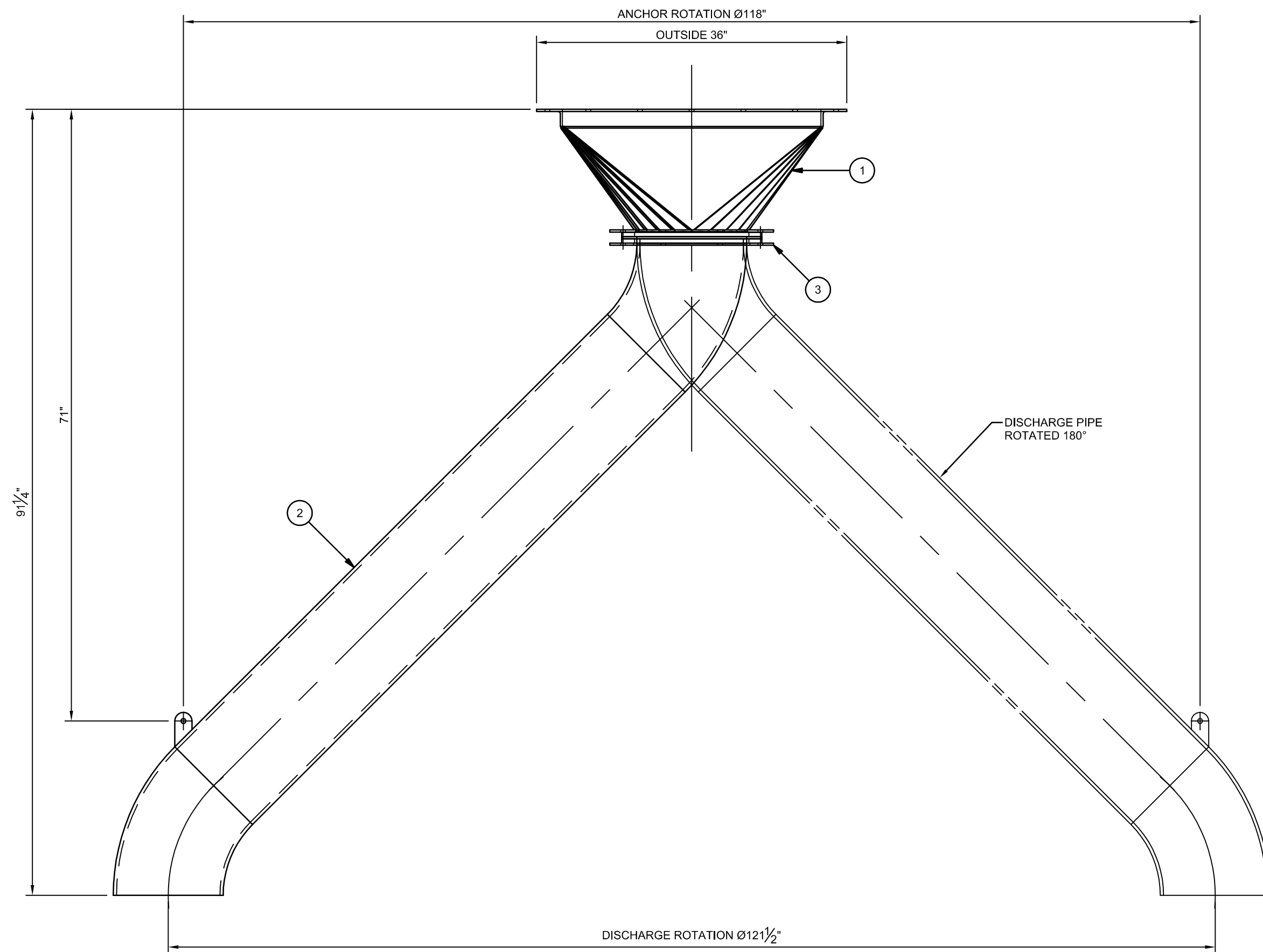


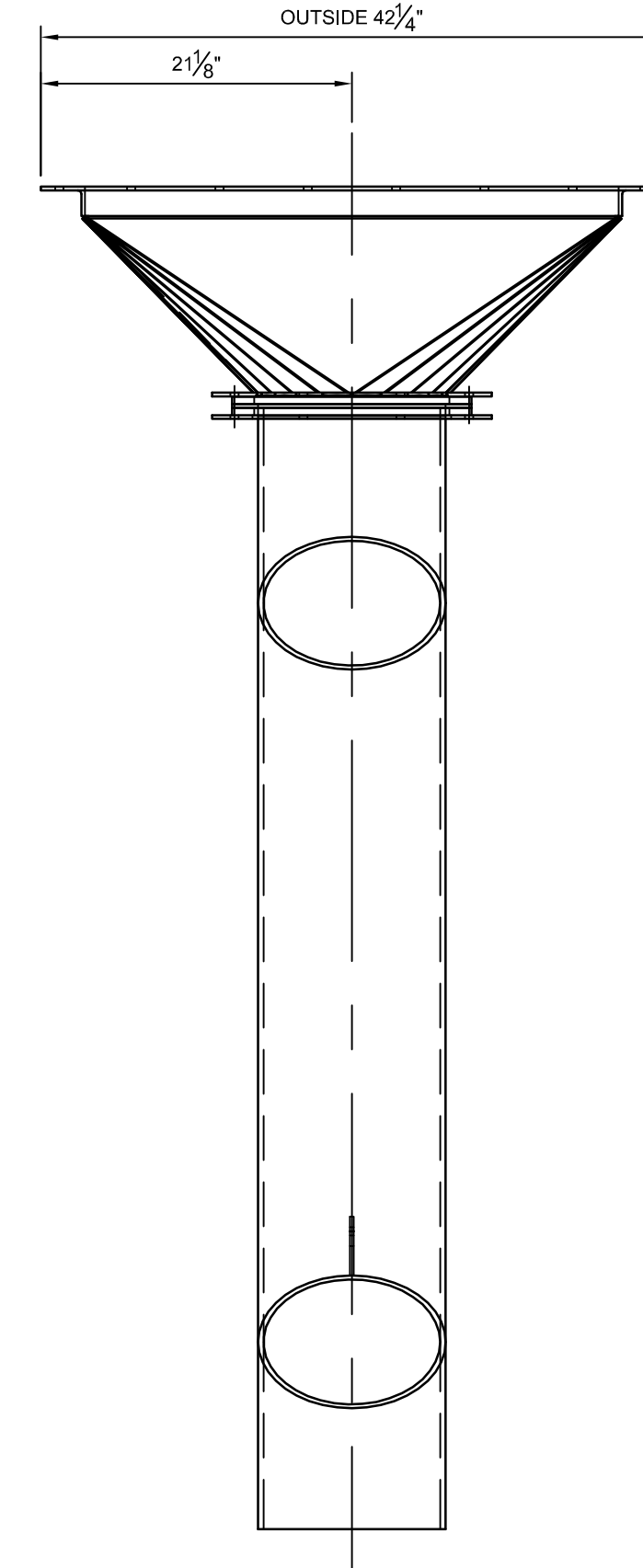
PLAN VIEW



ISOMETRIC VIEW
SCALE 1/2"=1'-0"



PART No. 450125-001
ELEVATION VIEW
SCALE 1"=1'-0"

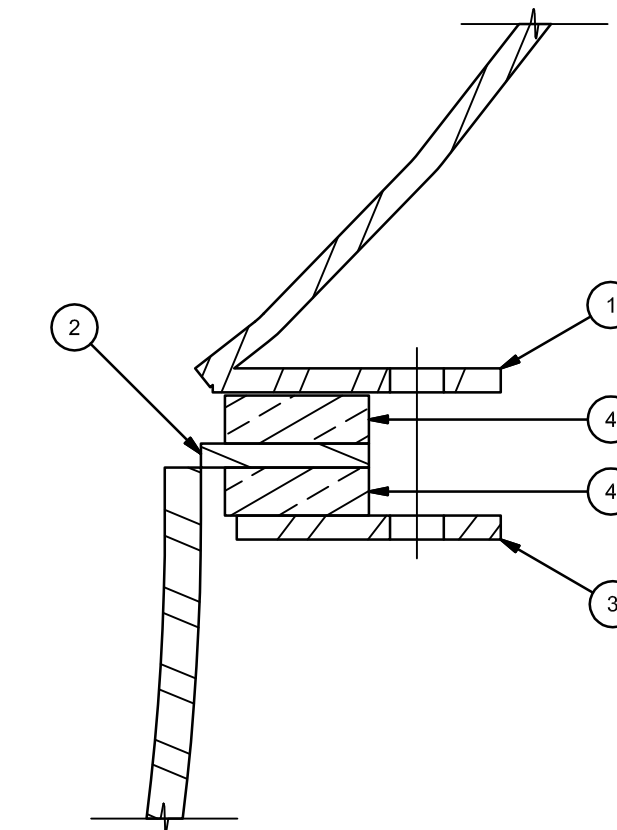


SIDE VIEW

BILL OF MATERIALS					
ITEM	QTY	PART #	DESCRIPTION	MATERIAL	COMMENTS
1	1	450125-002-A	DISCHARGE TRANSITION	MILD STEEL	
2	1	450125-002-B	FEED CHUTE	MILD STEEL	
3	1	450125-002-C	RETAINING RING	MILD STEEL	SHIP LOOSE
4	2	450125-002-D	SLIP RING	TEFLON	SHIP LOOSE

GENERAL NOTES:

1. SHOP ASSEMBLY TO ENSURE FIT.
2. ENSURE ALL SHARP EDGES ARE GROUND SMOOTH.
3. PAINT AS PER CLIENT SPEC.
4. ENSURE ALL PART NUMBERS ARE CLEARLY MARKED ON COMPONENTS.

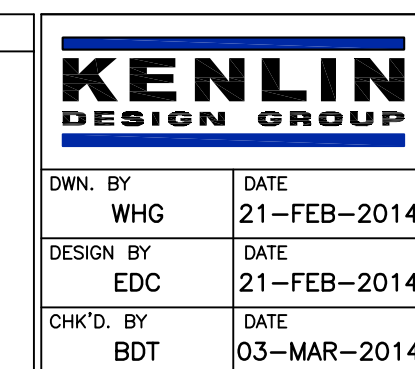


SECTION A-A
SCALE: 6" = 1'-0"

REVISIONS							
NO.	DESCRIPTION	BY	CHK	DATE	NO.	DESCRIPTION	BY

REVISIONS							
NO.	DESCRIPTION	BY	CHK	DATE	NO.	DESCRIPTION	BY

STAMP			



PROJECT	TRUCK FEED CHUTE		
TITLE	PART No. 450125-001		
	GENERAL ASSEMBLY		
DWN. BY	DATE	JOB No.	DWG. No.
WHG	21-FEB-2014	125-02	450125-001
DESIGN BY	DATE	SCALE	
EDC	21-FEB-2014	1"=1'-0"	
CHK'D. BY	DATE		
BDT	03-MAR-2014		