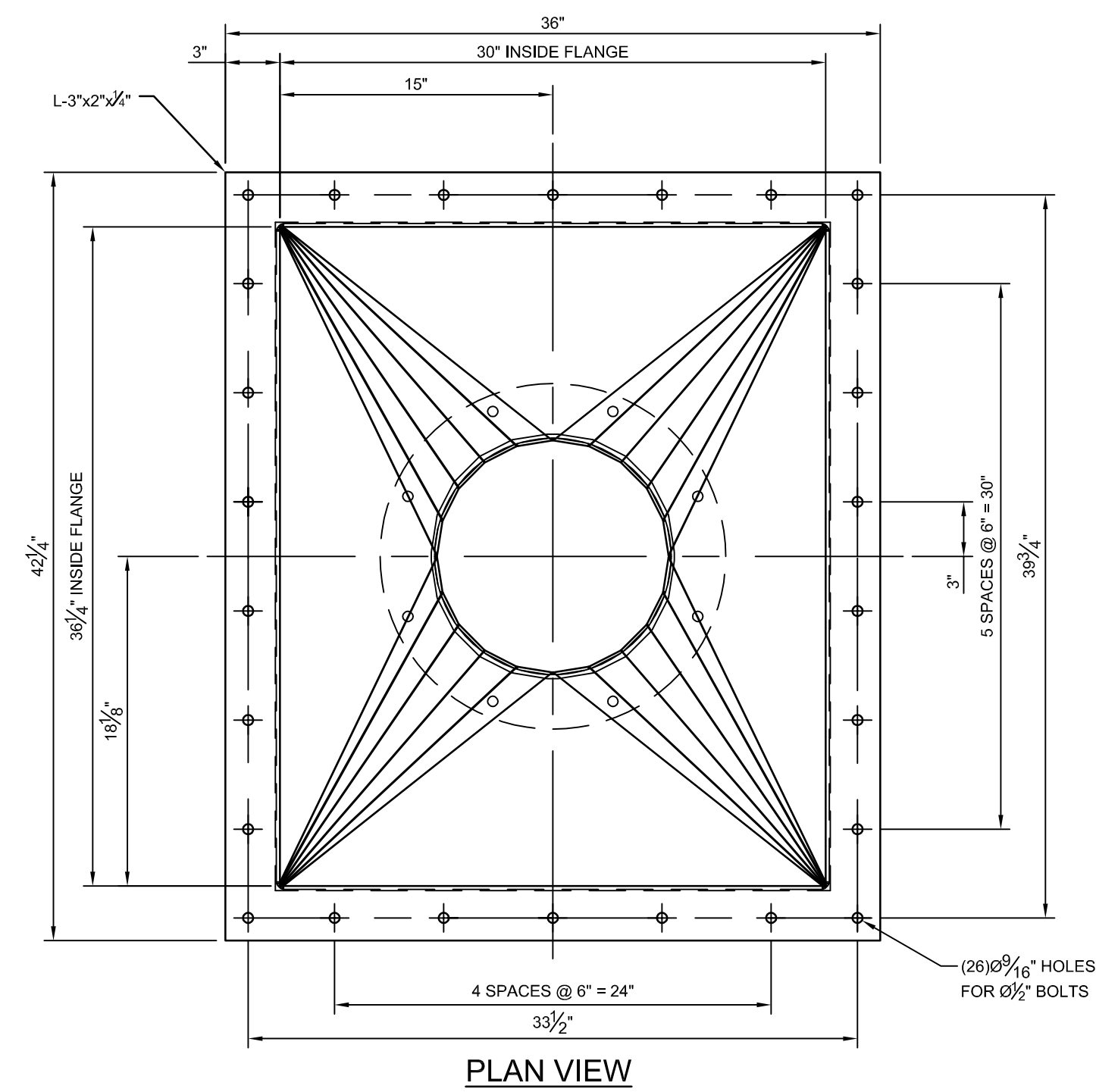
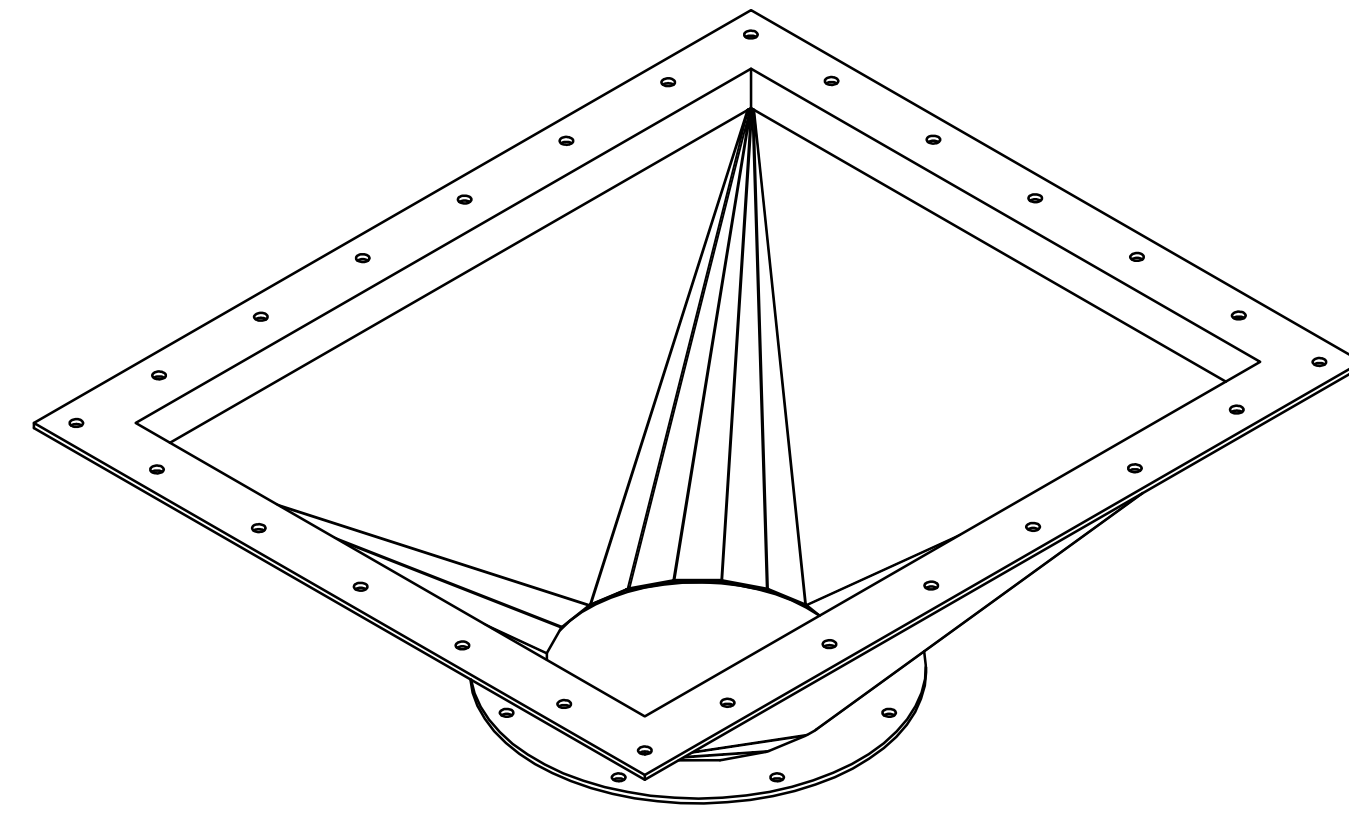


GENERAL NOTES:

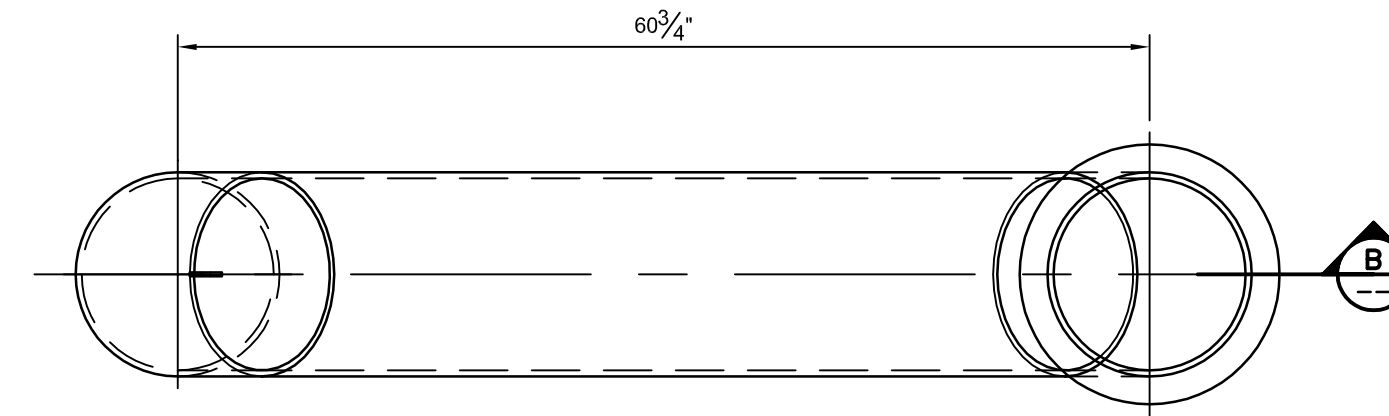
1. ENSURE ALL SHARP EDGES ARE GROUND SMOOTH.
2. PAINT AS PER CLIENT SPEC.
3. ENSURE ALL PART NUMBERS ARE CLEARLY MARKED ON COMPONENTS.
4. ALL WELDS TO CONFORM TO CLIENT STANDARDS.
5. ALL MATERIAL TO BE MILD STEEL U.N.O.



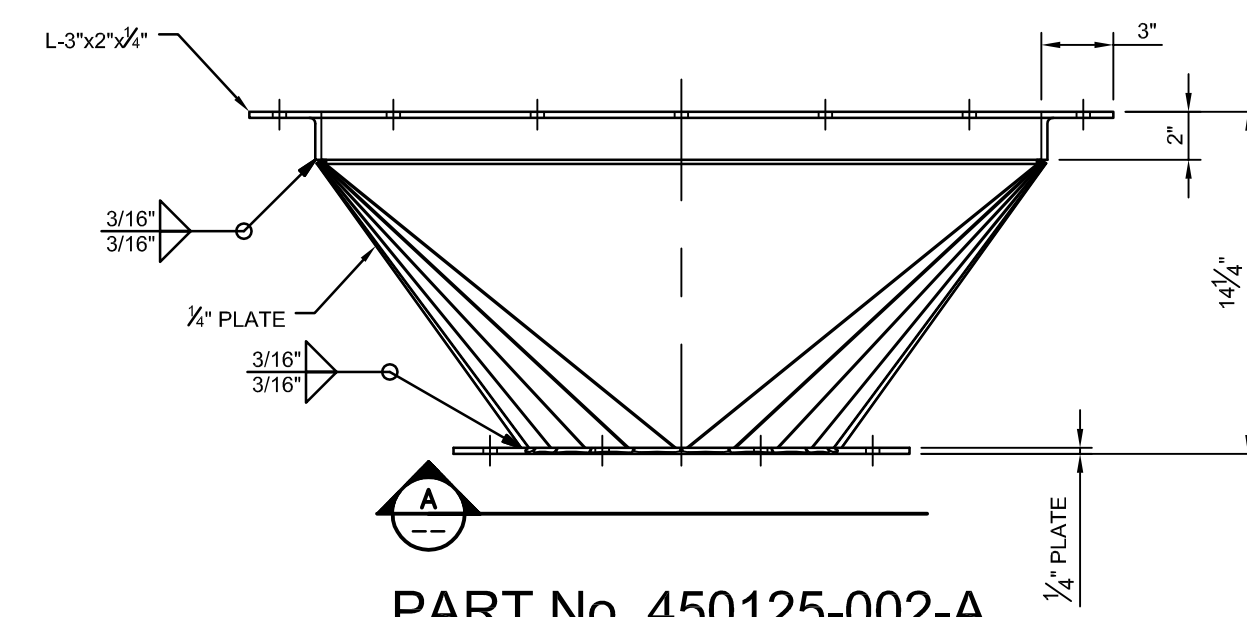
PLAN VIEW



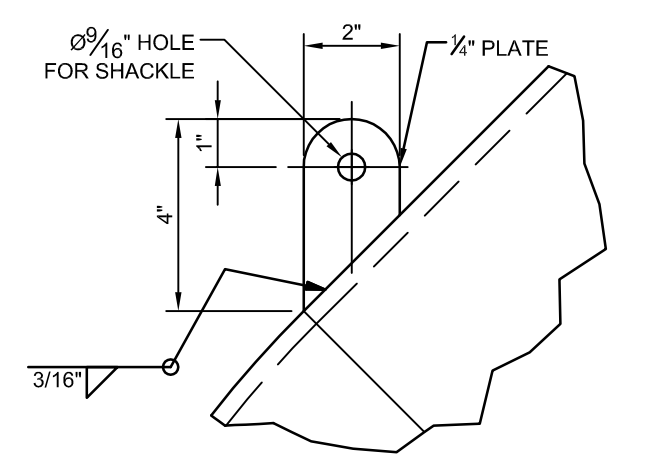
ISOMETRIC VIEW
SCALE 1 1/2"=1'-0"



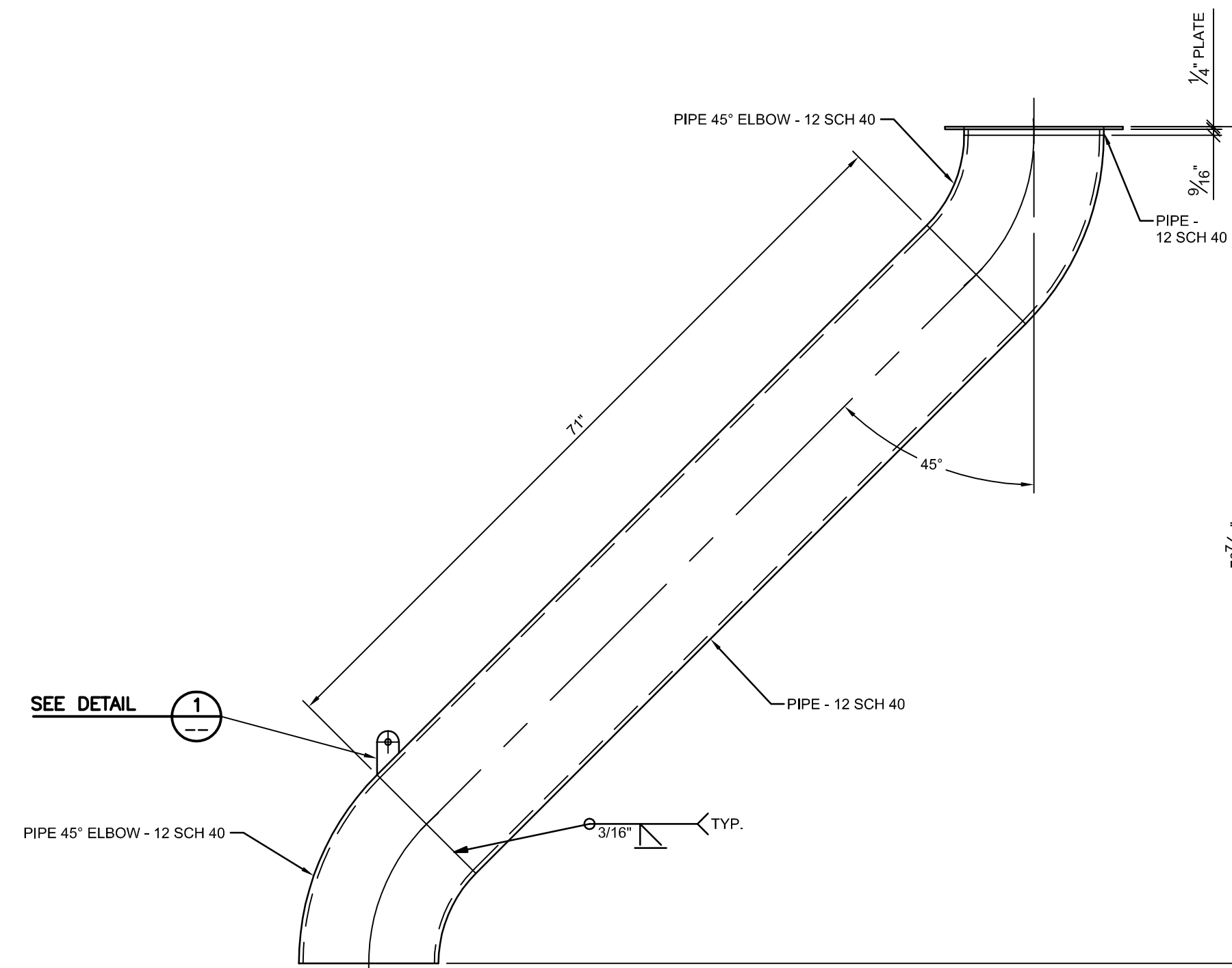
PLAN VIEW



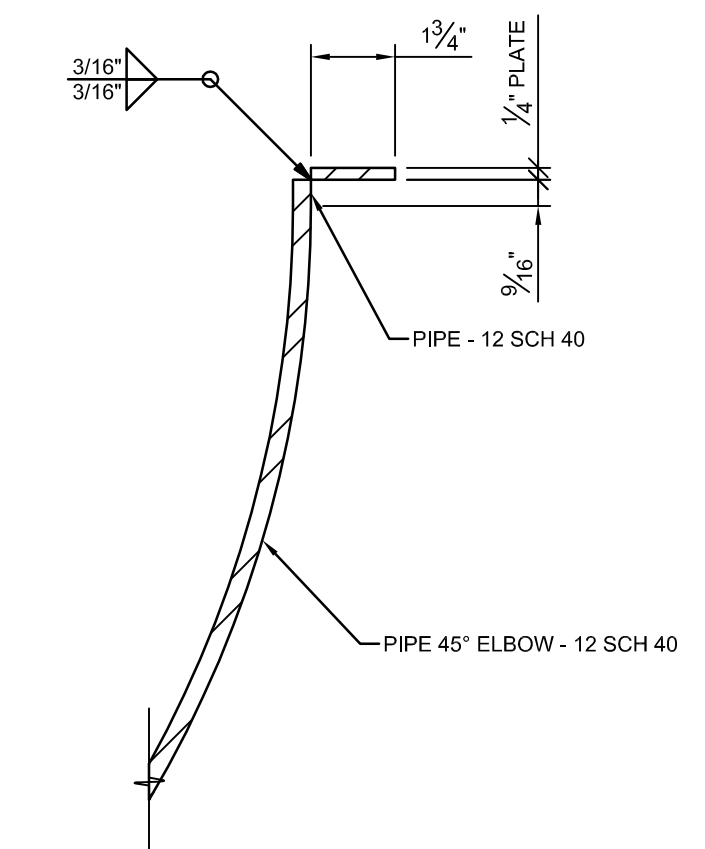
PART No. 450125-002-A
ELEVATION VIEW
SCALE 1 1/2"=1'-0"



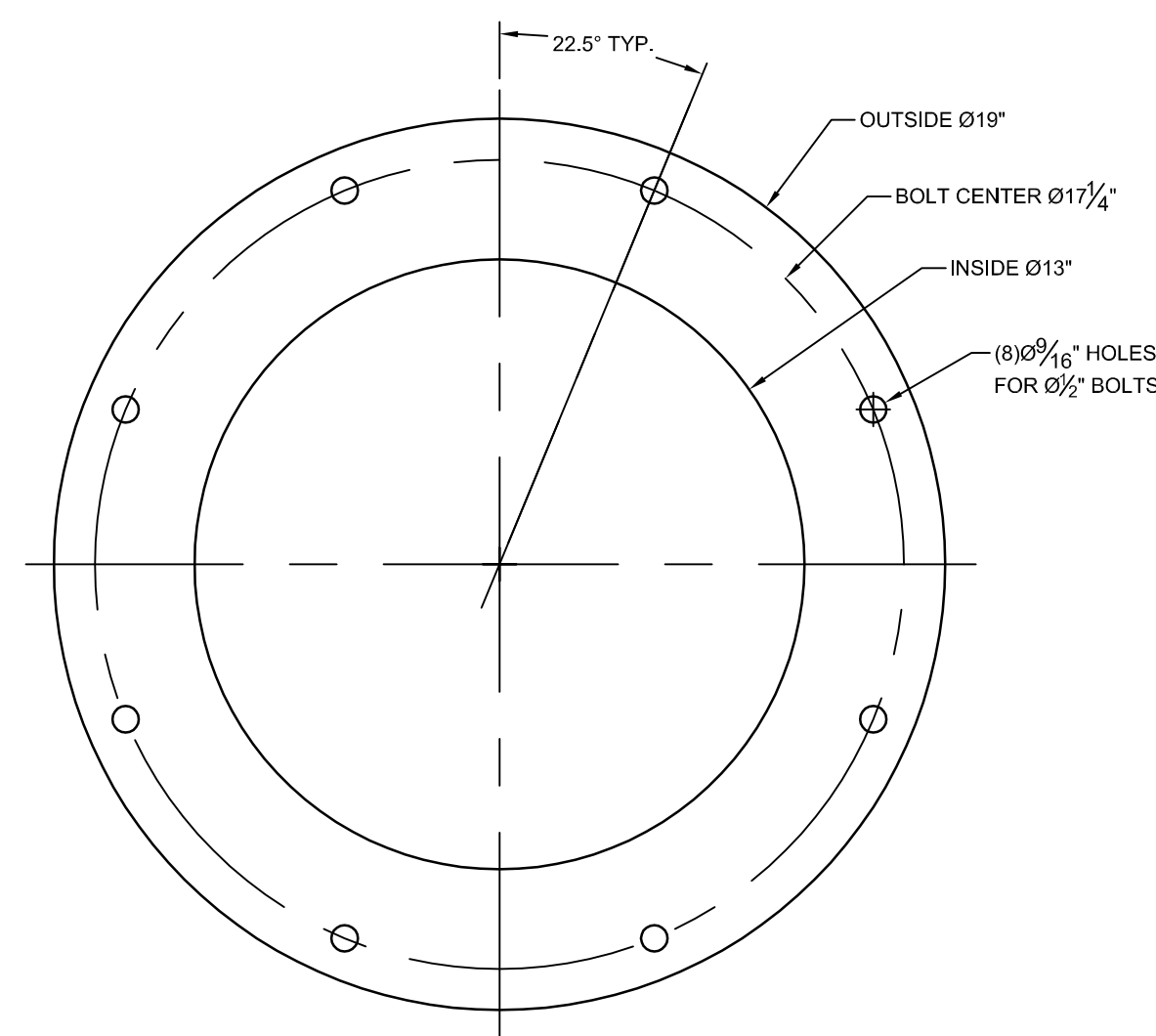
DETAIL
SCALE: 3" = 1'-0"



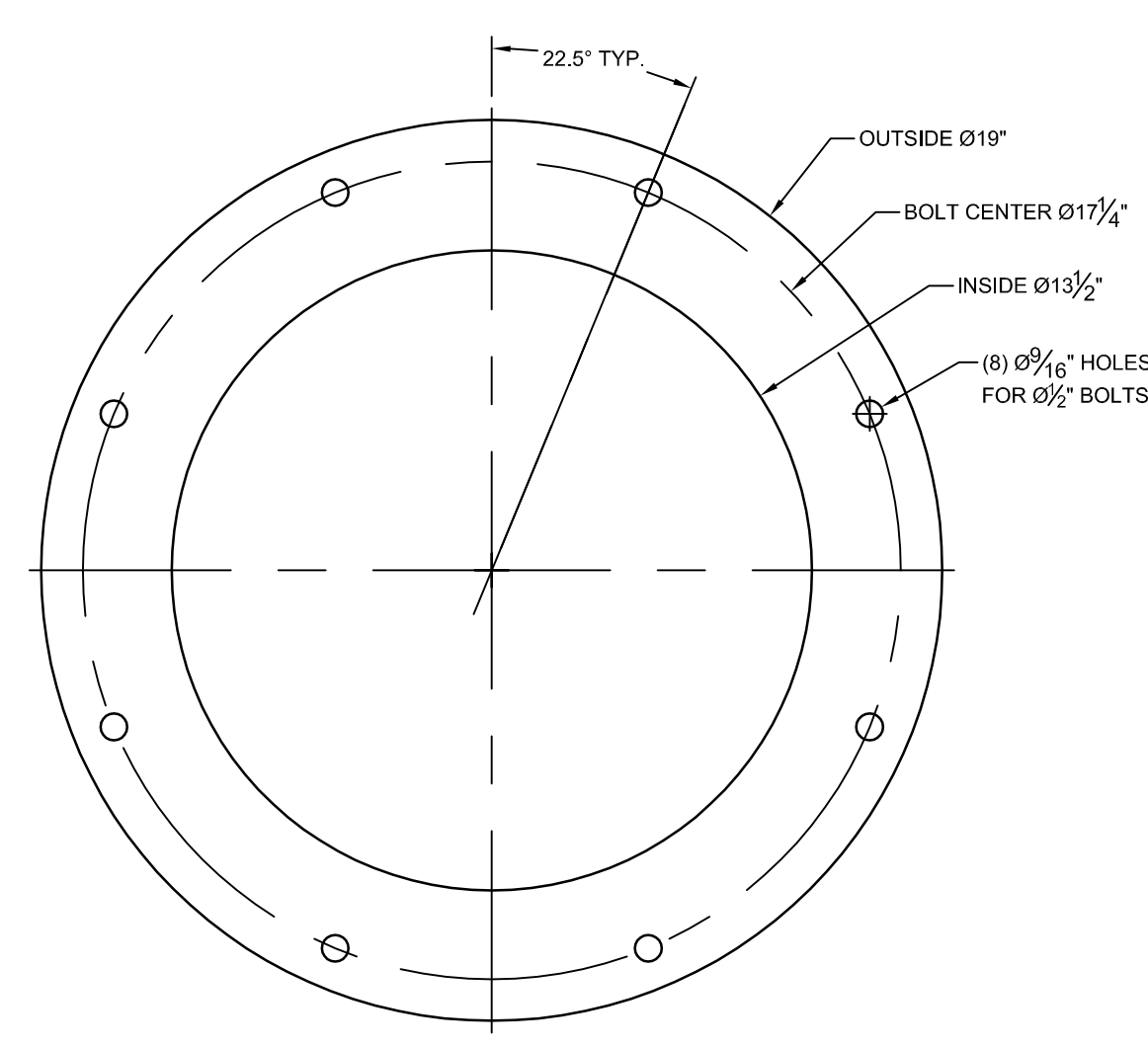
PART No. 450125-002-B
ELEVATION VIEW
SCALE 1"=1'-0"



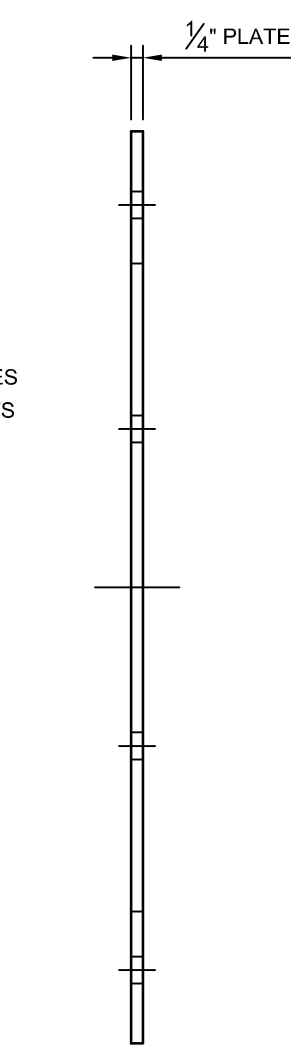
SECTION
SCALE: 3" = 1'-0"



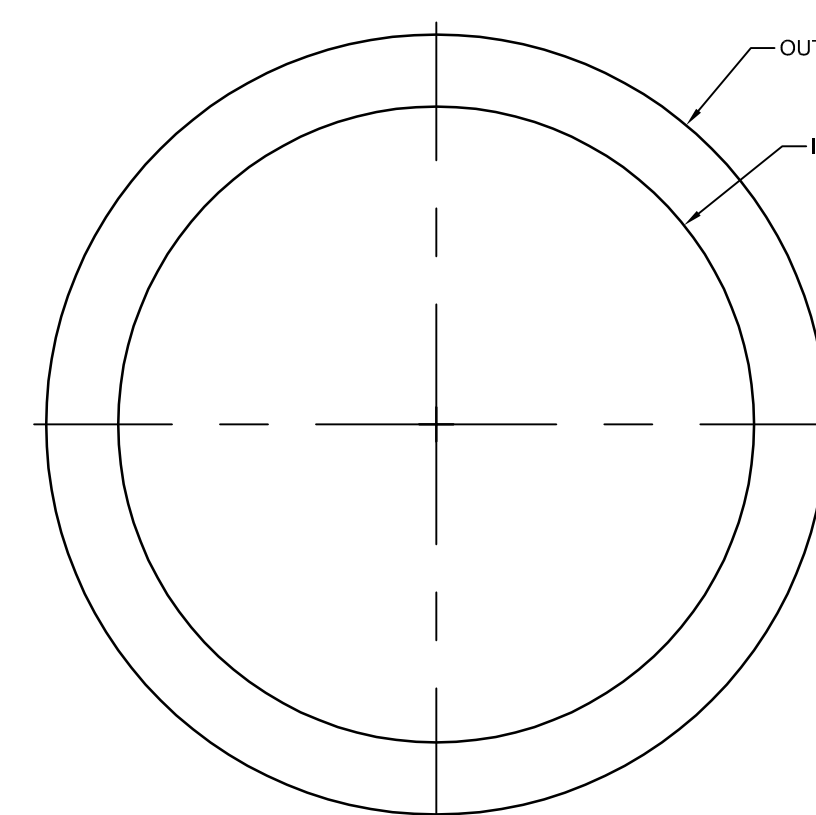
VIEW
SCALE: 3" = 1'-0"



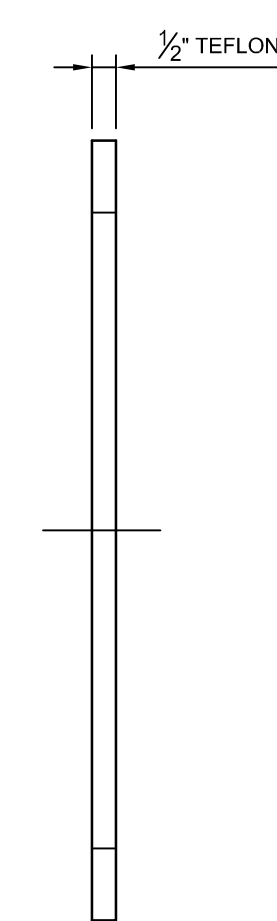
PART No. 450125-002-C
ELEVATION VIEW
SCALE 3"=1'-0"



SIDE VIEW



PART No. 450125-002-D
ELEVATION VIEW
SCALE 3"=1'-0"



SIDE VIEW

REVISIONS					
NO.	DESCRIPTION	BY	CHK	DATE	NO.

REVISIONS					
NO.	DESCRIPTION	BY	CHK	DATE	NO.

STAMP	

KENLIN
DESIGN GROUP

PROJECT	TRUCK FEED CHUTE
TITLE	PART No. 450125-001
	PARTS AND DETAILS
DWN. BY	WHG
DATE	21-FEB-2014
DESIGN BY	EDC
DATE	21-FEB-2014
CHK'D. BY	BDT
DATE	03-MAR-2014
SCALE	1 1/2"=1'-0"
JOB No.	125-02
DWG. No.	450125-002