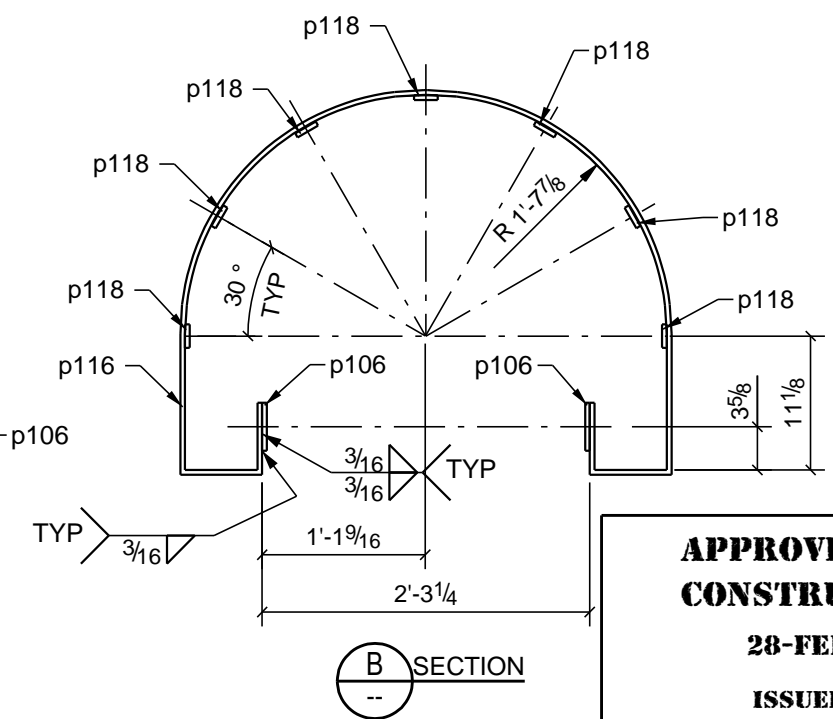
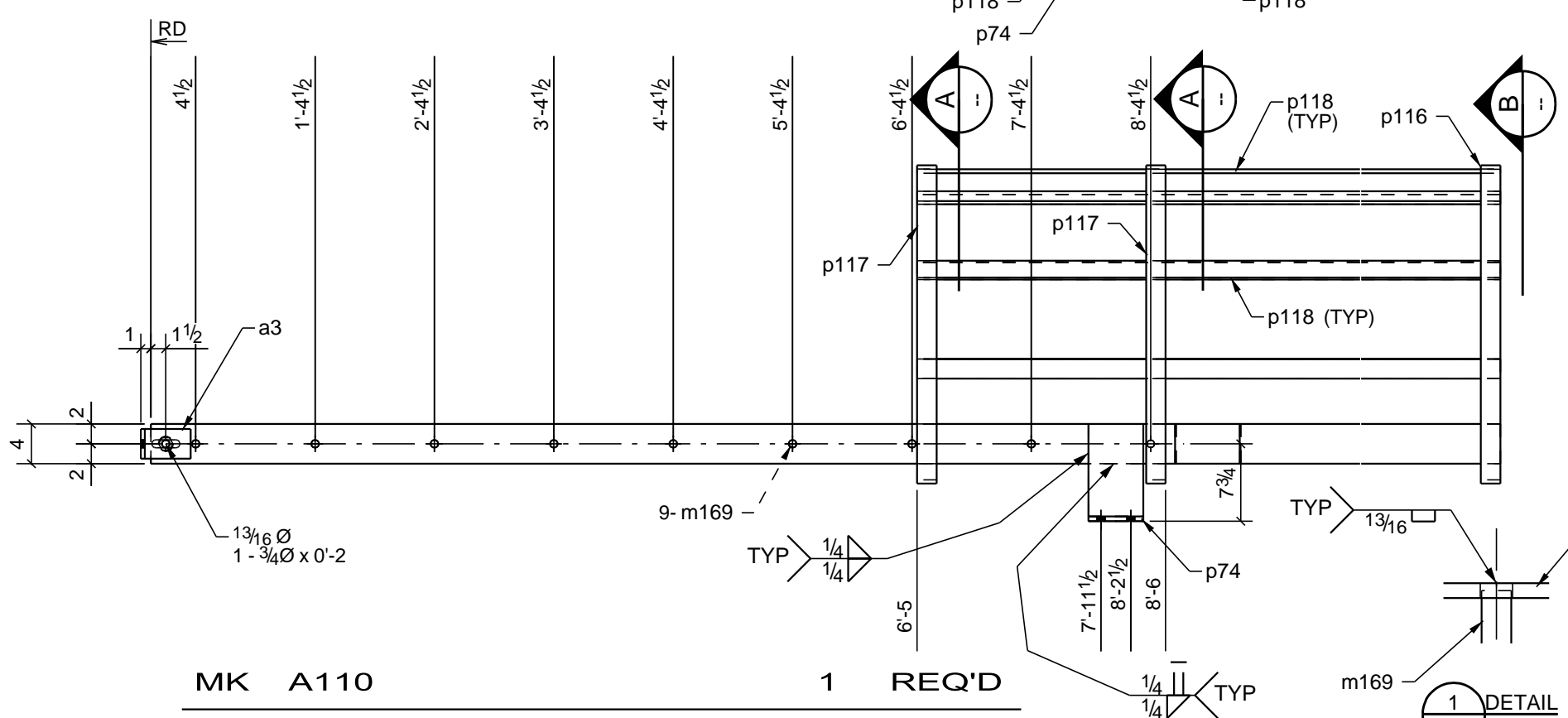
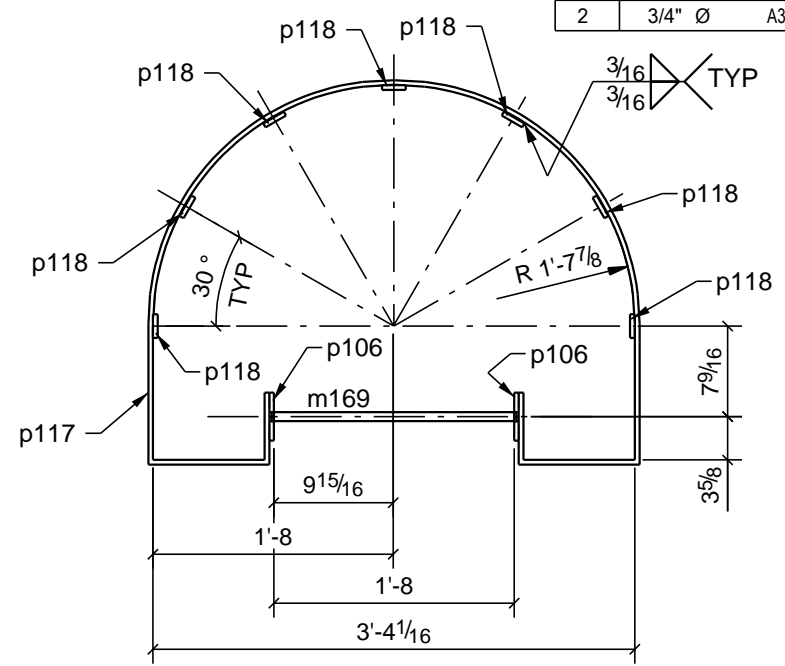
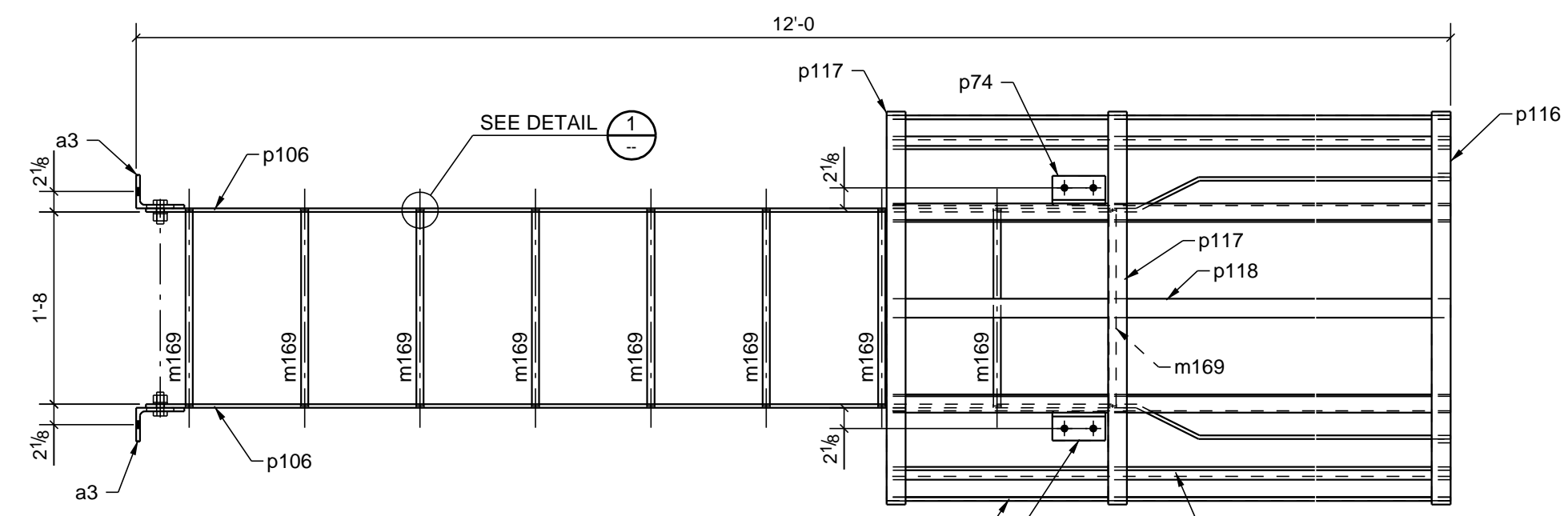


QTY	FIELD BOLTS		LENGTH
4	3/4" Ø	A325N BOLT	2"
QTY	SHOP BOLTS		LENGTH
2	3/4" Ø	A325 BOLT	2"



MK A110

1 REQ'D

**APPROVED FOR CONSTRUCTION**  
**28-FEB-14**  
**ISSUED BY KENLIN DESIGN GROUP**

1	2	9	2	1	2	7	TOTAL QTY	UNIT QTY	MARK	DESCRIPTION	LENGTH	GRADE	REMARKS	TOTAL WEIGHT:
1			A110	LADDER										
2	2	a3	L5X3-1/2X3/8	0'-3"	300W		5.19							
9	9	m169	ROD3/4"	1'-8 3/8"	300W		20.68							
2	2	p74	PL1/2"X5 1/2"	0'-11 3/4"	300W		19.15							
2	2	p106	FB3/8"X4"	11'-11 9/16"	300W		122.32							
1	1	p116	PLT3/8"X1 15/16"	9'-0 11/16"	300W		24.34							
2	2	p117	PLT3/8"X1 15/16"	9'-7 3/16"	300W		51.54							
7	7	p118	PLT3/8"X1 15/16"	5'-6"	300W		101.54							
TOTAL QTY														344.77

0	28-FEB-14	ISSUED APPROVED FOR CONSTRUCTION	MTG
A	24-FEB-14	ISSUED FOR APPROVAL	MTG
REV	DATE	REMARKS	BY
REF. DWG. No.	--		
ERECTION DWG. No.	--		
DWN. BY	DATE (YYYY-MM-DD)	PROJECT	DWG. DETAIL
MTG	2014-02-21	CUT-MASTERS FABRICATION	LADDER
CHK. BY	DATE (YYYY-MM-DD)	MATERIAL SPEC.	CONTRACT No.
PSL	2014-02-28	G40.21	2014-0228
		PAINT SPEC.	SUB#
		SEE SPEC.	1
		HOLE DIA.	DRAWING No.
		13/16Ø	A110
			REV.
			0

